

# Product Data Sheet: Addressable Loop Powered Range



## Description

A range of attractively designed, highly efficient and easy to install loop powered sounders, beacons and sounder beacon combination.

All models are fully compliant with all relevant parts of BS 5839 part 1 2002 and are available in a variety of cost-effective formats.

Addressing is achieved by the straightforward use of a DIL switch.

All sounders can be set to operate in 'master' or 'shadow' mode (multiple shadow sounders can be given the same ID address as one 'master' sounder, a particularly useful feature on heavily populated systems).

Please contact us to discuss panel compatibility.

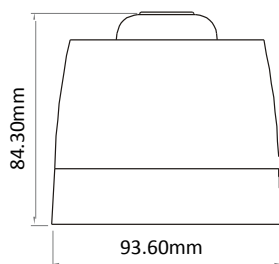
## Technical Information

Part No.	VTG-A		VTB-A		VCT-A	VXB-A	
Base:	SB	DB	SB	DB	N/A	SB	DB
Sound Output @1m (High/ Low):	100dB / 94dB				91dBa max	N/A	
Typical Quiescent Current @ 24V:	800µA						
Typical Alarm Current @ 24V:	7.5mA		8mA		7mA	3mA	
Voltage Range:	17 - 28Vdc				18 - 28Vdc	17 - 28Vdc	
Evacuate tones:	Switch Selected (continuous, warble, sweep)					N/A	
Alert Tone:	Pips					N/A	
IP Rating:	IP43	IP65	IP43	IP65	IP42	IP43	IP65
Weight (per unit packed):	160g	195g	205g	230g	105g	130g	150g
Flash Rate:	N/A		1Hz		N/A	1Hz	
Colours Available:	Red / White				White	Red / White	

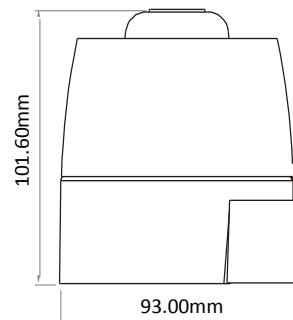
Lids in both red and white are available in stand alone use only for VCT-A.

## Dimensions

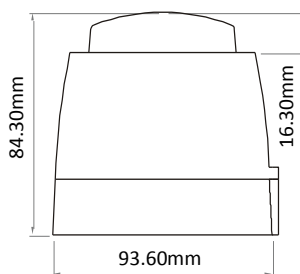
VTG-A-SB



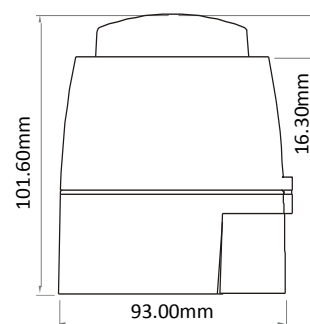
VTG-A-DB



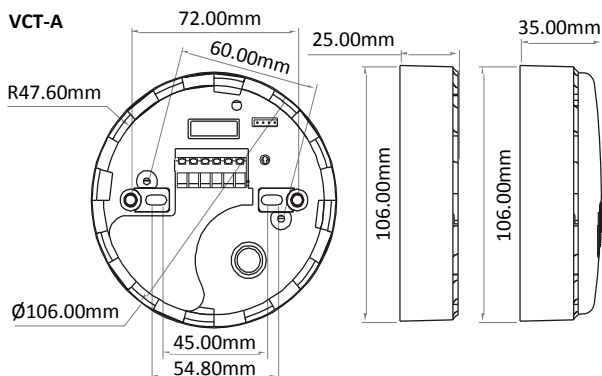
VTB-A-SB



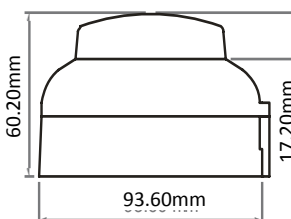
VTB-A-DB



VCT-A



VXB-A-SB



VXB-A-DB

